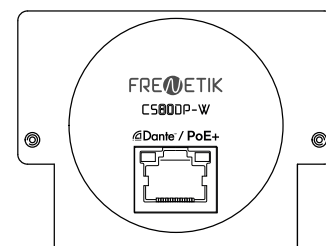
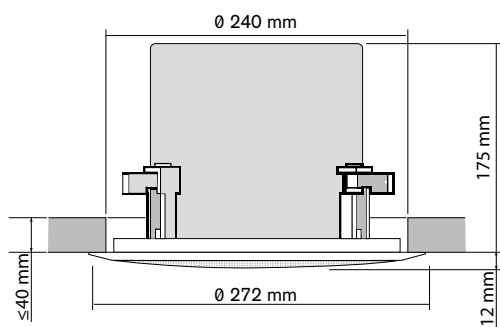


## Dante™ PoE+ 8" 2-way amplified ceiling speaker



<b>Reference</b>	CS80DP-W
<b>Type</b>	2-way coaxial ceiling speaker
<b>Power (passive mode)</b>	40 W (8 ohms)
<b>Amplification</b>	60 W (class D)
<b>Dante™ Receiver</b>	1 (16 / 24 / 32 bit - 44.1 à 96 kHz)
<b>Transducer</b>	1 x 8" woofer 1 x 1" tweeter
<b>Peak SPL capacity (1 m)</b>	110 dB
<b>Bandwidth (-10 dB)</b>	100 Hz - 16 kHz
<b>Directivity (H x V)</b>	100° x 100°
<b>Input connector</b>	1 x RJ45 + 1 Euroblock connector
<b>Dimensions</b>	Ø 272 x P 187 mm
<b>Cut out diameter</b>	Ø 240 mm
<b>Built-in depth</b>	175 mm
<b>Weight</b>	3.1 kg
<b>Power supply</b>	PoE+ (IEEE 802.3 at)

Dante™ PoE+ optiZONE noLOGO



## Mounting and connexion method

