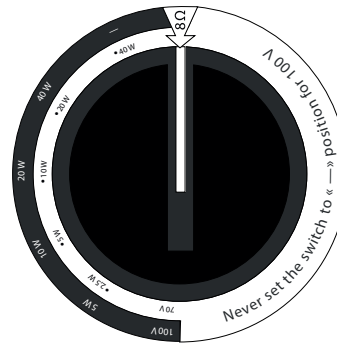
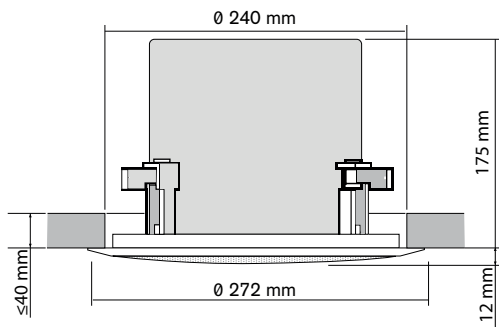


8" passive 2-way ceiling speaker with transformer



noLOGO

Reference	CS80T-W
Type	2-way coaxial in-ceiling speaker
Power	40 W (8 ohms) or 5 W / 10 W / 20 W / 40 W 100 V
Transducer	1 x 8" woofer 1 x 1" tweeter
Peak SPL capacity (1 m)	112 dB
Bandwidth (-10 dB)	100 Hz - 16 kHz
Directivity (H x V)	100° x 100°
Input connector	Euroblock
Dimensions	Ø 272 x P 187 mm
Cut out diameter	Ø 240 mm
Built-in depth	175 mm
Weight	3.1 kg



Mounting and connexion method

